

**Catalogue  
Series PL**

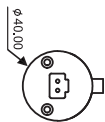
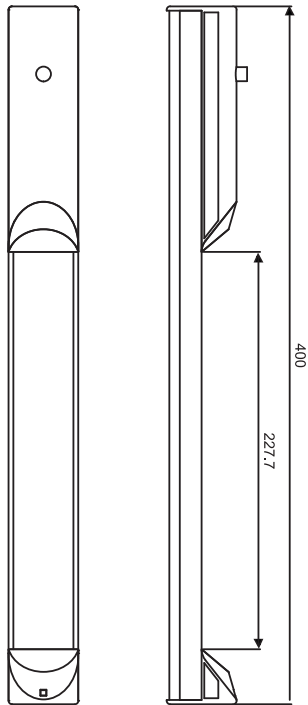




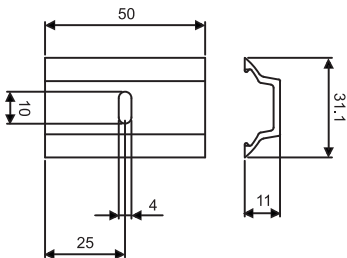
# PL08

## LED Panel Light - 8 Watt

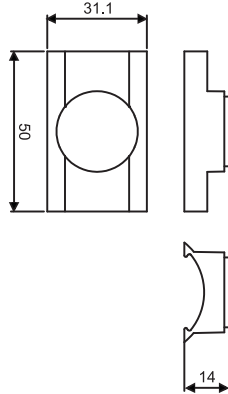
### Dimension in mm



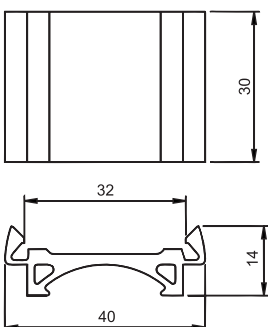
#### 1. Screw Type



#### 2. Magnetic Type



#### 3. Din Rail Type as per TS 35 mm



### Technical Details

|                                 |   |  |
|---------------------------------|---|--|
| Power Consumption               | : | Max. 8 W   |
| Luminous flux                   | : | 600 Lm @ 120 °   |
| Nominal Voltage                 | : | 110VAC / 230VAC  |
| Service Life                    | : | 60,000 h at +20°C (+68 °F)   |
| Connection                      | : | 2 Pole connector with snap Lock<br>AC : Max. 2.5A / 240VAC<br>DC : Max. 2.5A / 60VDC |
| Mounting                        | : | Clip fixing  |
| Torque                          | : | 2Nm Max.   |
| Casing                          | : | Plastic, Transparent   |
| Dimensions                      | : |  |
| Weight                          | : |  |
| Operating / Storage Temperature | : | -40C to +60 C  |
| Operating / Storage Humidity    | : | Max. 90%   |

### Standard Type

#### Screw Type Mounting

|        |   |               |
|--------|---|---------------|
| 110VAC | : | PL08-110VAC-1 |
| 230VAC | : | PL08-230VAC-1 |

#### Magnetic Type Mounting

|        |   |               |
|--------|---|---------------|
| 110VAC | : | PL08-110VAC-2 |
| 230VAC | : | PL08-230VAC-2 |

#### Din Rail Type Mounting

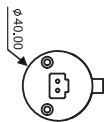
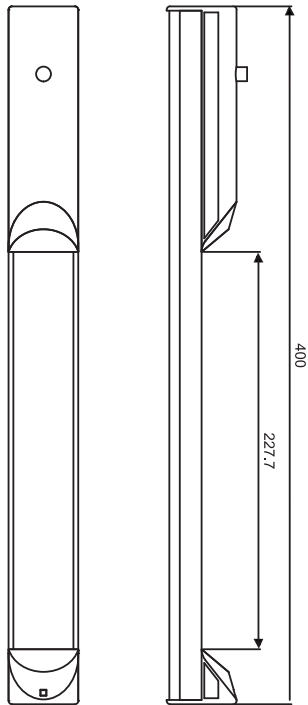
|        |   |               |
|--------|---|---------------|
| 110VAC | : | PL08-110VAC-3 |
| 230VAC | : | PL08-230VAC-3 |



## PL10

### LED Panel Light - 10 Watt

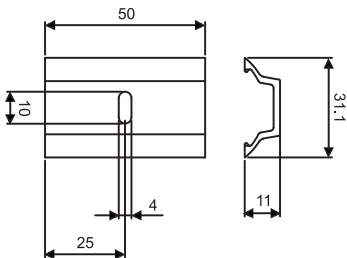
Dimension in mm



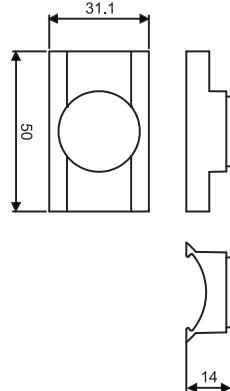
#### Technical Details

|                                 |   |  |
|---------------------------------|---|--|
| Power Consumption               | : | Max. 10 W  |
| Luminous flux                   | : | 600 Lm @ 120 °   |
| Nominal Voltage                 | : | 24VDC / 230VAC   |
| Service Life                    | : | 60,000 h at +20°C (+68 °F)   |
| Connection                      | : | 2 Pole connector with snap Lock<br>AC : Max. 2.5A / 240VAC<br>DC : Max. 2.5A / 60VDC |
| Mounting                        | : | Clip fixing  |
| Torque                          | : | 2Nm Max.   |
| Casing                          | : | Plastic, Transparent   |
| Dimensions                      | : |  |
| Weight                          | : |  |
| Operating / Storage Temperature | : | -40C to +60 C  |
| Operating / Storage Humidity    | : | Max. 90%   |

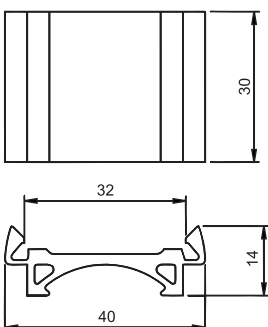
#### 1. Screw Type



#### 2. Magnetic Type



#### 3. Din Rail Type as per TS 35 mm



#### Standard Type

##### Screw Type Mounting

|        |   |               |
|--------|---|---------------|
| 110VAC | : | PL10-110VAC-1 |
| 230VAC | : | PL10-230VAC-1 |

##### Magnetic Type Mounting

|        |   |               |
|--------|---|---------------|
| 110VAC | : | PL10-110VAC-2 |
| 230VAC | : | PL10-230VAC-2 |

##### Din Rail Type Mounting

|        |   |               |
|--------|---|---------------|
| 110VAC | : | PL10-110VAC-3 |
| 230VAC | : | PL10-230VAC-3 |

## Ordering Information

PL---  
1 2 3

### 1. No. of Watts

8 : 8  
10 : 10

### 2. Voltage

110VAC : 110  
230VAC : 230

### 3. Mounting Type

Screw Type : 1  
Magnetic Type : 2  
Din Rail Type : 3

## Paramount Industries

# 70, 5th Cross, SSI Area, Rajajinagar,  
Bangalore - 560 010, India.

Email : [info@paramount.net.in](mailto:info@paramount.net.in)

Website : [www.paramount.net.in](http://www.paramount.net.in)

Specification may change in the view of product improvement without prior intimation.