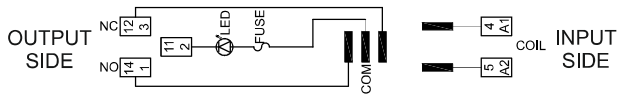


S1FD

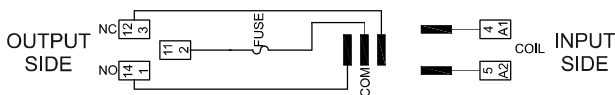
Only
14 mm
WIDE

Output Fuse Socket

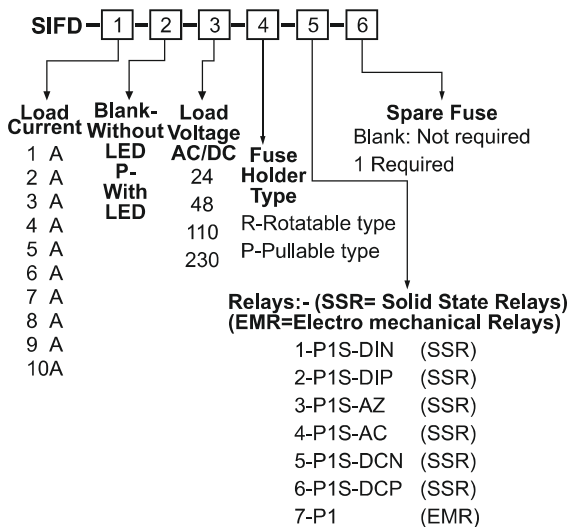
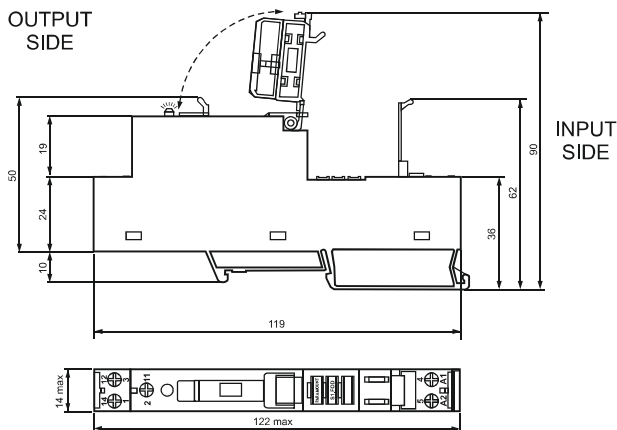
Wiring Diagram With LED



Wiring Diagram Without LED



Dimensions in mm.



Example:- S1FD-P-1A-24-R-1-1
(S1FD with LED with load current 1A, load voltage 24VAC/DC with Rota table Type Fuse Holder and with P1S-DIN solid State Relays with Spare Fuse)

Specifications

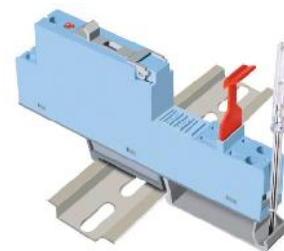
Poles	1 Normally Open Contact
Nominal load :	10A / 250V
Insulation: Di-electric strength, 1minute	
Between contact and coil	5 KV
Between all terminals and DIN Rail	5 KV
Between adjacent terminals	3 KV
Brass Tin Plated Screw	
Max. screw torque	1.2 Nm
Screw dimensions	M3, Pozi
Wire in-lets capacity:	
Solid Wire	4 mm ² or 2 x 2.25 mm ²
Multi core	22 14 AWG
Ferrule tip terminals	4 mm ²

Note

1. Fuse Blow Indication is a standard inbuilt feature
2. Fuse Blow Indication is for CO Contact
3. RC & Variastor are connected across CO & NO for CO & NO Relays
4. For NC it is connected across NC & CO

Other Aspects

Weight Approx.	28 gms
DIN Rail / Panel Mountable	
Integrated Relay Hold Down Clip	
Removable White Marking Label	
EN / DIN Sequential Numbering according to EN 60947 & IEC 61810	



Suitable Relays: P1S-DIN, P1S-DIP, P1S-AZ, P1S-AC, P1S-DCN, P1S-DCP, P1