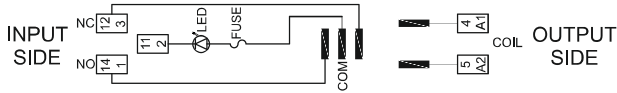


S1FDI

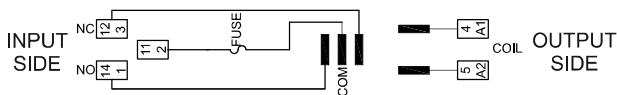
Only
14 mm
WIDE

Input Fuse Socket

Wiring Diagram With LED

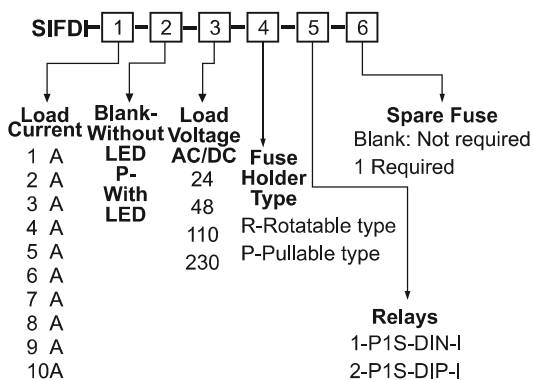
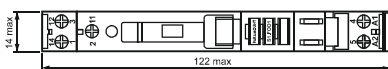
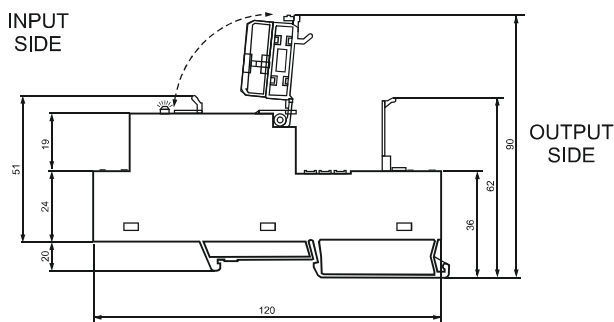


Wiring Diagram Without LED



Dimensions

in mm.



Example:- S1FDI-P-1A-24-P-1-1

(S1FDI with LED with load current 1A, load voltage 24VAC/DC with pullable Type Fuse Holder and with P1S-DIN-1 solid State Relays with Spare Fuse

Specifications

Poles 1 Normally Open Contact
Nominal load : 10A / 250V

Insulation: Di-electric strength, 1minute
Between contact and coil 5 KV
Between all terminals and DIN Rail 5 KV
Between adjacent terminals 3 KV

Brass Tin Plated Screw
Max. screw torque 1.2 Nm
Screw dimensions M3, Pozi

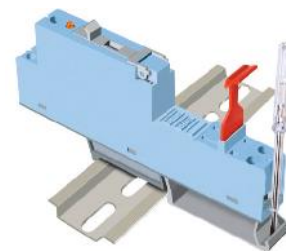
Wire in-lets capacity:
Solid Wire 4 mm² or 2 x 2.25 mm²
Multi core 22 14 AWG
Ferrule tip terminals 4 mm²

Note

1. Fuse Blow Indication is a standard inbuilt feature
2. Fuse Blow Indication is for CO Contact
3. RC & Variastor are connected across CO & NO for CO & NO Relays
4. For NC it is connected across NC & CO

Other Aspects

Weight Approx. 28 gms
DIN Rail / Panel Mountable
Integrated Relay Hold Down Clip
Removable White Marking Label
EN / DIN Sequential Numbering according to EN 60947 & IEC 61810



Suitable Relays: P1S-DIN-1, P1S-DIP-1