

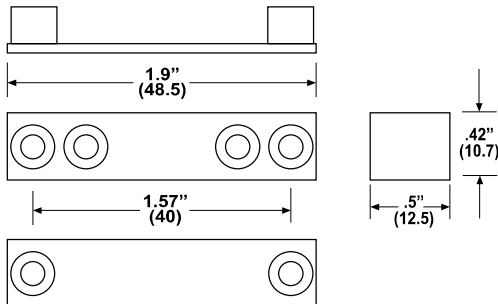


P 158 ST

Surface Mount

Ideal for industrial & residential use

Dimensions in mm.



(Dimensions in brackets are in mm)

Specifications

- Hidden screws adds to beauty
- Convenient screw mounting
- Low profile
- Mounting screws and cover plate included
- Can be mounted in any position

Ordering Information	Gap Size	Loop	Lead Type
P 158 ST	3/4" (19 mm)	Closed	SCREW TERMINAL

Reed Switch Specification :-

Contact Type	: Normally Open Switch N/O Contacts (Form 'A') [standard] [Form 'B'-N/C OR Form 'C' -C/O contact type are given on request]
Contact Resistance	: 100m ohms Max.
Contact Rating	: Switching current 0.4 Amps
Max. Carry Current	: 1A,
Power consumption	: 10 VA
Max. Switching Voltage	: 100 VDC
Life Expectance	: 10 million operations

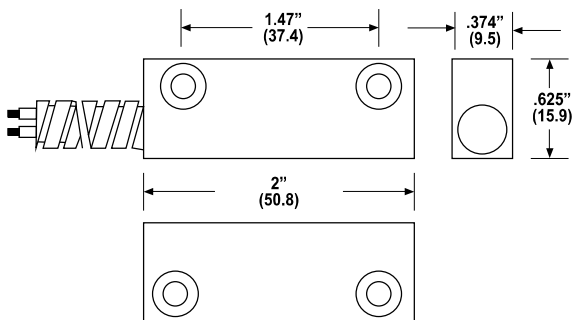


P 170

Industrial Type

Rugged aluminium housing construction

Dimensions in mm.



(Dimensions in brackets are in mm)

Specifications

- Interlocked stainless steel armoured cable
- Convenient surface mounting

Ordering Information	Gap Size	Loop	Lead Type
P 170	13/4" (44.5 mm)	Closed	#22 AWG Wire 18" (450mm) long with SS armoured cable

Reed Switch Specification :-

Contact Type	: Normally Open Switch N/O Contacts (Form 'A') [standard] [Form 'B'-N/C OR Form 'C' -C/O contact type are given on request]
Contact Resistance	: 100m ohms Max.
Contact Rating	: Switching current 0.4 Amps
Max. Carry Current	: 1A,
Power consumption	: 10 VA
Max. Switching Voltage	: 100 VDC
Life Expectance	: 10 million operations