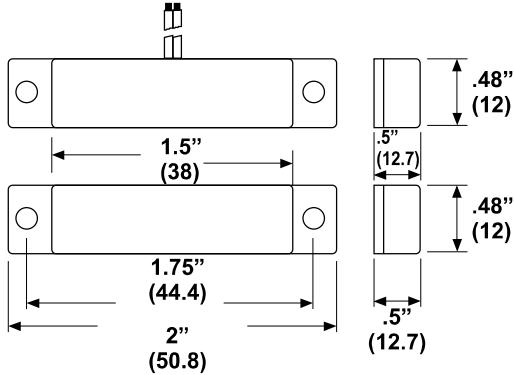




P 154

Surface Mount Screw mount with leads

Dimensions in mm.



(Dimensions in brackets are in mm)

Specifications

Screw mount with leads

- Convenient screws mount
- Wide gap upto 1 1/2 (38 mm) available
- Mounting screws included

Ordering Information	Gap Size	Loop	Lead Type
P 154	7/8" (22 mm)	Closed	#22 AWG WIRE 18" (450mm) LONG

Reed Switch Specification :-

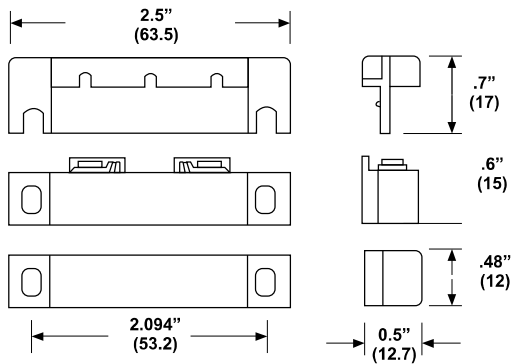
Contact Type	: Normally Open Switch N/O Contacts (Form 'A') [standard] [Form 'B'-N/C OR Form 'C' -C/O contact type are given on request]
Contact Resistance	: 100m ohms Max.
Contact Rating	: Switching current 0.4 Amps
Max. Carry Current	: 1A,
Power consumption	: 10 VA
Max. Switching Voltage	: 100 VDC
Life Expectance	: 10 million operations



P 155

Recessed Type Industries most popular surface mount

Dimensions in mm.



(Dimensions in brackets are in mm)

Specifications

- Small size
- Connecting terminal not visible
- Cover screws & two spacers included

Ordering Information	Gap Size	Loop	Lead Type
P 155	7/8" (22 mm)	Closed	TERMINAL

Reed Switch Specification :-

Contact Type	: Normally Open Switch N/O Contacts (Form 'A') [standard] [Form 'B'-N/C OR Form 'C' -C/O contact type are given on request]
Contact Resistance	: 100m ohms Max.
Contact Rating	: Switching current 0.4 Amps
Max. Carry Current	: 1A,
Power consumption	: 10 VA
Max. Switching Voltage	: 100 VDC
Life Expectance	: 10 million operations