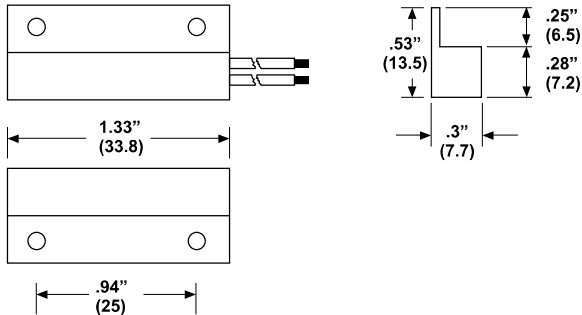




P 152

Surface Mount
Flange mount with wire leads

Dimensions in mm.



(Dimensions in brackets are in mm)

Specifications

- Flange for convenient mounting
- Convenient tape mounting
- Mounting screws included
- Side leads

Ordering Information	Gap Size	Loop	Lead Type
P 152	7/8" (22 mm)	Closed	#22 AWG WIRE 18" (450mm) LONG

Reed Switch Specification :-

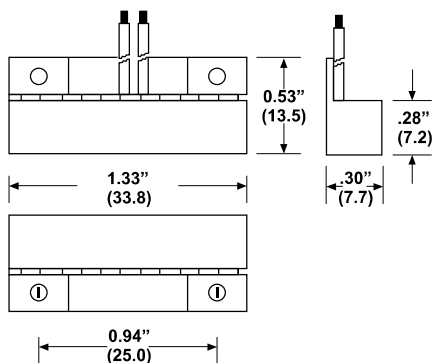
Contact Type : Normally Open Switch N/O Contacts (Form 'A') [standard] [Form 'B'-N/C OR Form 'C' -C/O contact type are given on request]
 Contact Resistance : 100m ohms Max.
 Contact Rating : Switching current 0.4 Amps
 Max. Carry Current : 1A,
 Power consumption : 10 VA
 Max. Switching Voltage : 100 VDC
 Life Expectance : 10 million operations



P 153

Surface Mount
Flange mount with wire leads

Dimensions in mm.



(Dimensions in brackets are in mm)

Specifications

- Flange or tape mounting.
- Miniature size
- Break away flange for ease of installation
- Includes self adhesives tape
- Centre leads
- Mounting screws included

Ordering Information	Gap Size	Loop	Lead Type
P 153	7/8" (22 mm)	Closed	#22 AWG WIRE 18" (450mm) LONG

Reed Switch Specification :-

Contact Type : Normally Open Switch N/O Contacts (Form 'A') [standard] [Form 'B'-N/C OR Form 'C' -C/O contact type are given on request]
 Contact Resistance : 100m ohms Max.
 Contact Rating : Switching current 0.4 Amps
 Max. Carry Current : 1A,
 Power consumption : 10 VA
 Max. Switching Voltage : 100 VDC
 Life Expectance : 10 million operations