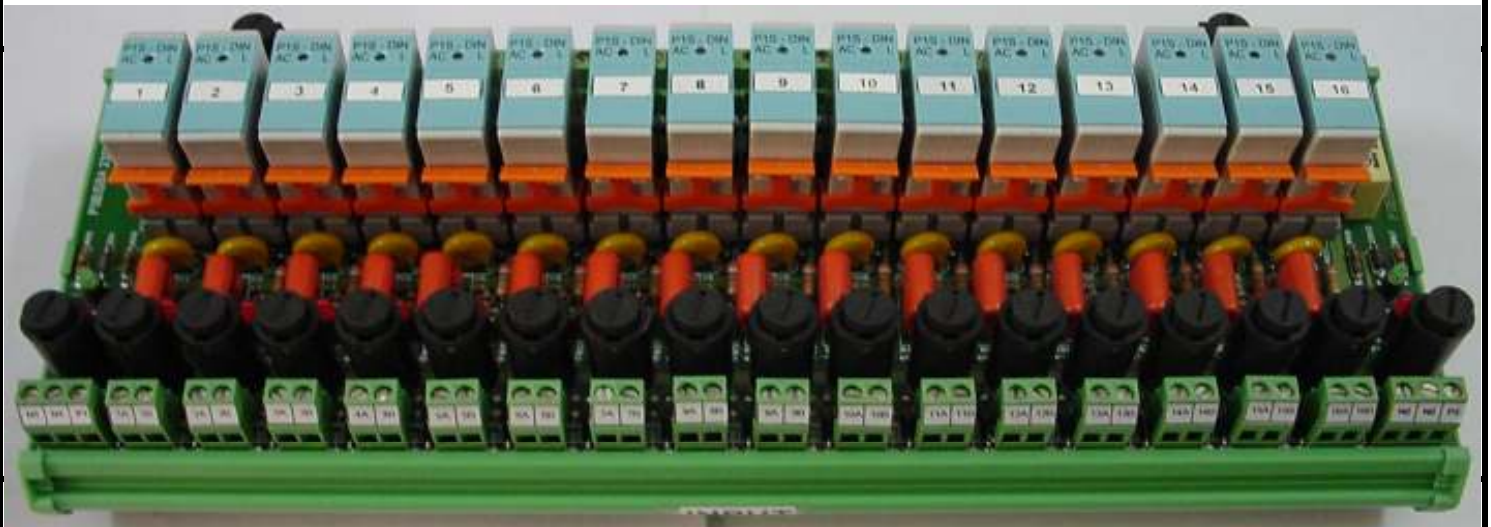


Paramount Relay Interface Module

PARAMOUNT
EXPECT MORE...

Series PI16ISBA24VDC^(9D) 16 Channel Input Relay Board



These Relay modules provide a compact, reliable & cost effective means of providing an isolation and safety barrier between the field equipment and the PLC

The coil of each relay is activated by the PLC and the contacts of the relays connect to the field, providing increased load switching capability with fuse protection and easy configuration

The Input relay interface module has fuses for each channel, fuses for field supply and logic supply. LED Indication is provided for both field supply and logic supply.

The Relays from Releco have a label on the top of the relay to indicate the channel / relay number and have 4.75 mm blade type Industrial Pins for Industrial Plug In application

Contents	Page
Input relay module	: 2
Relay & Socket features	: 3
Circuit Diagram	: 4
PCB Layout	: 6

Series : PI16ISBA24VDC_(9D)

Input Relay Module Specification

Model	No. of Channel Supply	No. of field supply	No. of Logic supply	-	Dimension L x W x D in mm	Field Fuse Rating	Logic Fuse Rating	Channel Fuse Rating
PI16ISBA24VDC _(9D)	16	2	2		282 x 85 x 125	3.15 A Slow Blow	1 A Fast Blow	1 A Fast Blow

Component Specifications / Other details

- 1 Fuse Holders : PCB Mountable Vertical Fuse Holder (5x20 fuses)
- 2 Fuses : 5 x 20 mm Fuses Glass Cartridge
Field Supply : 3.15 Amps Slow Blow
Logic Supply : 1 Amps Fast Blow
Channel Supply : 1 Amps Fast Blow
- 3 Extrusion Make : Phoenix Contact
- 4 Terminal Blocks Make : Phoenix Contact
- 5 Logic Supply : 24 VDC
LED Indicator present to indicate the presence of the Logic Supply.
Fuse available for the Logic Supply
- 6 Field Supply : 24 VDC / 220 VAC
LED Indicator present to indicate the presence of Field Supply.
Fuse available for the Field Supply
- 7 Fuses are available for each channel

Series : PI16ISBA24VDC (9D)

Relay Specifications

1	Make	:	PARAMOUNT
2	Part No.	:	P1SP-DIN-24VDC
Input Parameters			
3	Input Current	:	5 m Amps Max. @ 24 VDC
4	Maximum Input Voltage	:	30 V DC Max.
5	Switch ON Voltage Range	:	14 - 18VDC
6	Must Operating Voltage	:	18 VDC
7	Must Switch OFF Voltage	:	14 VDC
Output Parameters			
8	Max. Output Current	:	100 mA DC
9	Max. Output Voltage	:	32 VDC
10	Max. Leakage Current	:	100 micro Amps
11	Max. Voltage Drop	:	1.5 VDC
Specifications			
12	Isolation between Input / Output	:	4 KV / 1 Min.
13	Operate Time @ Rated Voltage	:	5 msecs Max.
14	Release Time @ Rated Voltage	:	6 msecs Max.
15	Working Temperature Max.	:	60° C
16	Storage Temperature	:	- 40° C to + 85° C
17	Weight	:	28 grms Max.
18	Dimension (L x W x H)	:	28.9 x 13 x 36.1 mm

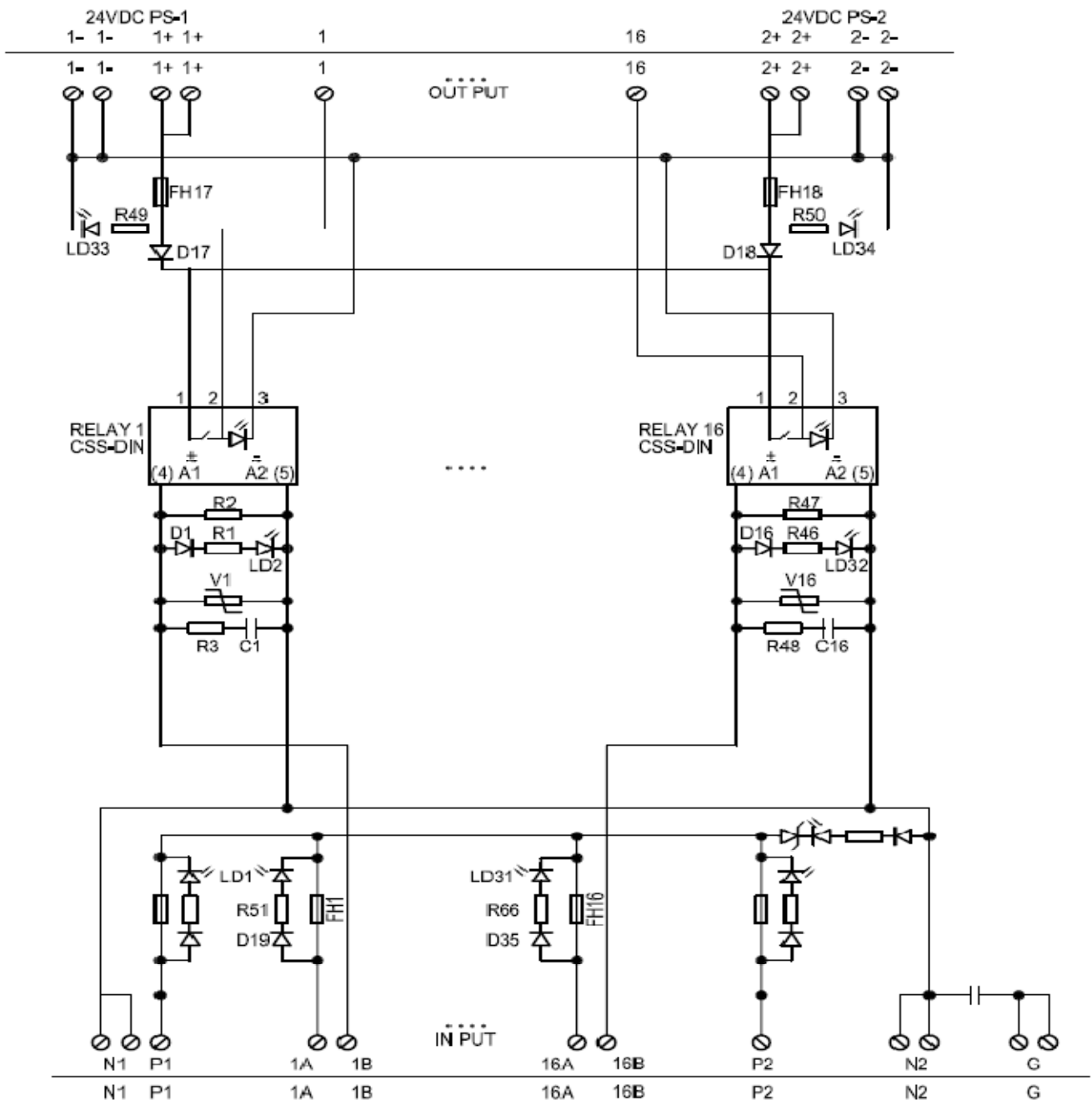
Relay Features

1	Industrial 4.75mm Faston terminals
2	Marking Lable (to indicate relay number etc...)

Socket Specifications

1	Make	:	PARAMOUNT
2	Part No.	:	S1P
3	Nominal Load	:	10 Amps @ 250VAC
4	Maximum Switching Voltage	:	400 volts
5	Di-Electric Strength	:	5 KV
6	Terminals	:	Hard Brass Tin Plated
7	Retainer clip	:	Integrated hold down type
8	Dimensions (length x breadth x height)	:	31.0 x 14.8 x 5.20 + 13.4mm (pin+body height)
9	Touch protected	:	Yes
10	Weight	:	8 gms

Series : PI16ISBA24VDC(9D)



- 1) FIELD TO ACT LIKE SWITCH
CONNECT TERMINALS 1A & 1B TO FIELD SWITCH.
- 2) FIELD TO SUPPLY PHASE AND NEUTRAL
CONNECT THE PHASE FROM THE FIELD SWITCH TO 1B

- 1) FIELD TO ACT LIKE SWITCH
CONNECT TERMINALS 16A & 16B TO FIELD SWITCH.
- 2) FIELD TO SUPPLY PHASE
CONNECT THE PHASE FROM THE FIELD SWITCH TO 16B

NOTE:- RELAYS ARE ENERGIZED BY FILED SUPPLY. +24VDC & 0VDC CONNECTED TO INPUT AT 1A,1B (RELAY 1) 16A,16B (RELAY 16)

Series : PI16ISBA24VDC_[9D]

PARAMOUNT
EXPECT MORE...

